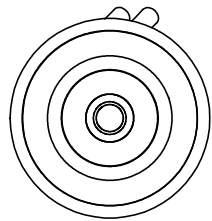
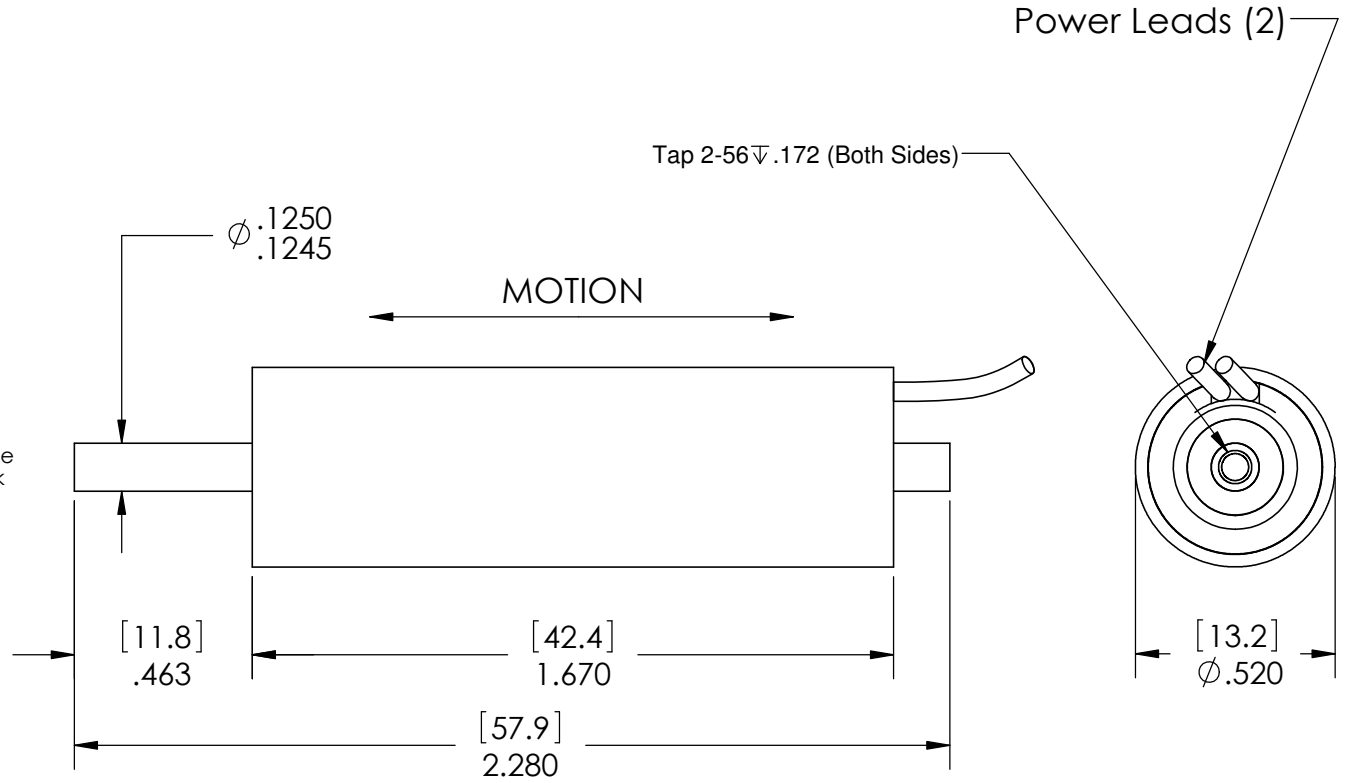


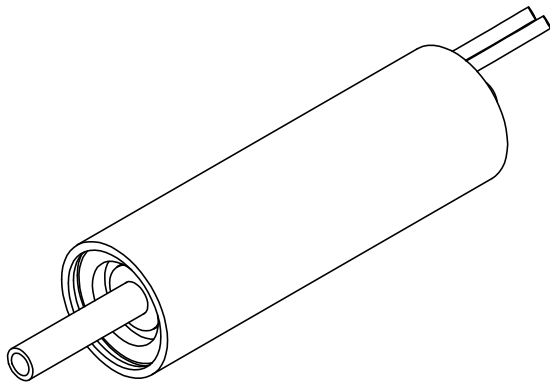
These drawings and specifications are the property of H2W Technologies, Inc. They are issued in confidence and shall not be reproduced, copied, or used without written permission from H2W Technologies, Inc.



Motion
 when + is connected to white
 and - is connected to black



SHOWN AT MIDSTROKE



H2W Technologies, Inc.

28310-C Ave Crocker Valencia, CA 91355 USA
 Tel: (661)-702-9346 Fax: (661)-702-9348
 www.h2wtech.com

UNLESS SPECIFIED OTHERWISE:
 All dimensions are in inches
 Standard Tolerances are as follows
 .XXX ±.005 ANGLES ±1°
 .XX ±.010 FILLETS AND
 X ±.020 CORNERS .010
 Remove All Burrs and Sharp Edges

MATERIAL			
FINISH			
DRAWN OOG	DATE 2-25-02	APPROVED FGW	DATE 2-25-02

TITLE NCM02-05-005-4JBMC			
DWG #	REV	ECN	
30-0922	A		

NON-COMM ACTUATOR SPECIFICATIONS		
Motor P/N	NCM02-05-005-4JBMC	
Device Type	Moving Magnet	
Stroke	0.15 in	3.8 mm
Radial Clearance	N/A in	N/A mm
Bearing Type	Jeweled Bushings	
Moving Mass	0.03 lbs	12 grams
Total Mass	0.11 lbs	49 grams
Resistance @ 20C	3.5 ohms	
Inductance @ 20C	0.25 mH	
Electrical Time Constant	0.07 msec	
Motor Constant	0.38 lbs/sqrt(watt)	1.69 N/sqrt(watt)
Force Constant	0.72 lbs/amp	3.2 N/amp
Back EMF	0.08 V/ips	3.2 V/m/sec
Force @ 100% Duty	0.5 lbs	2.2 N
Power @ 100% Duty	2 watts	
Current @ 100% Duty	0.7 amps	
Force @ 10% Duty	1.5 lbs	6.7 N
Power @ 10% Duty	16 watts	
Current @ 10% Duty	2.1 amps	