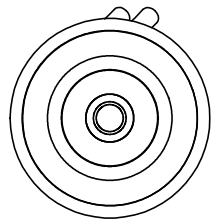
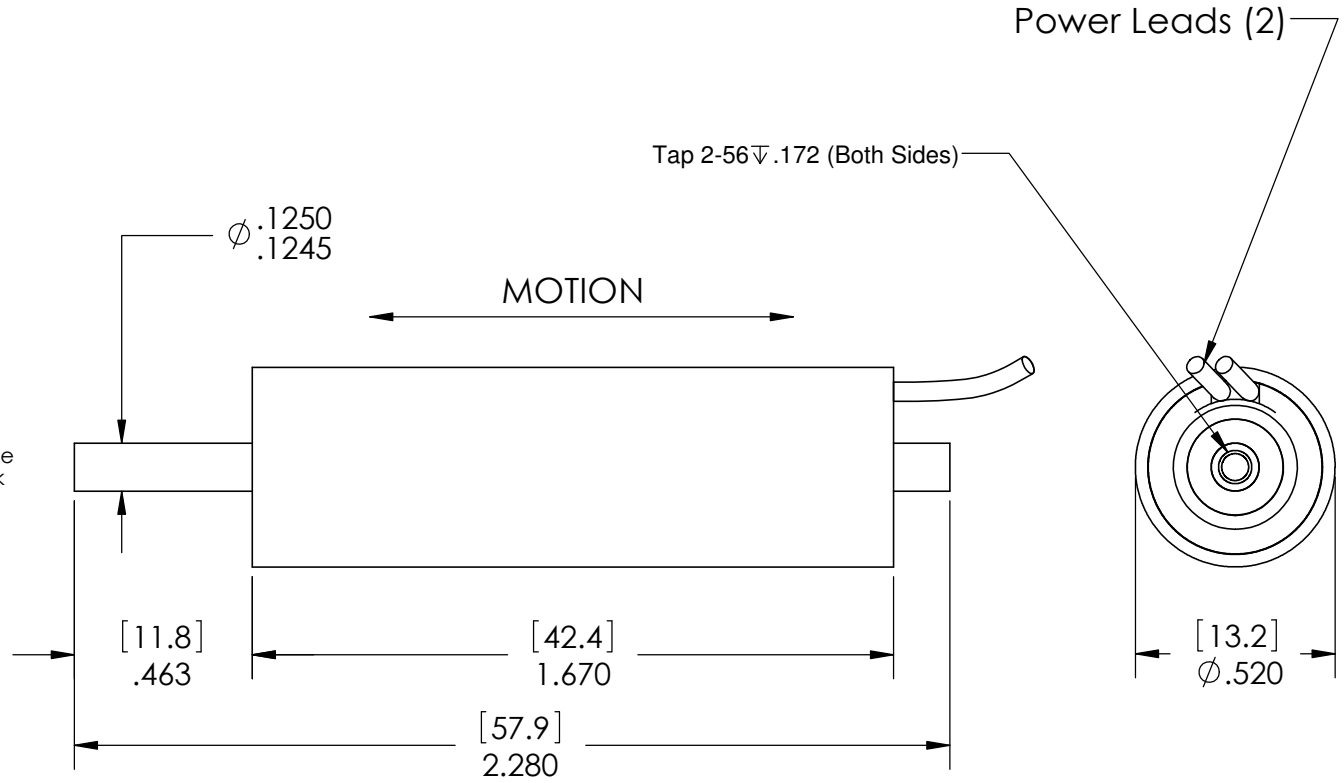


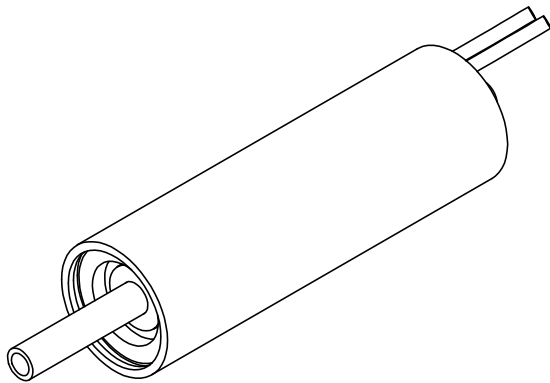
These drawings and specifications are the property of H2W Technologies, Inc. They are issued in confidence and shall not be reproduced, copied, or used without written permission from H2W Technologies, Inc.



**Motion**  
 when + is connected to white  
 and - is connected to black



**SHOWN AT MIDSTROKE**



UNLESS SPECIFIED OTHERWISE: All dimensions are in inches Standard Tolerances are as follows .XXX ±.005 ANGLES ±1° .XX ±.010 FILLETS AND X ±.020 CORNERS .010 Remove All Burrs and Sharp Edges				MATERIAL		TITLE		
				FINISH		NCM02-05-005-4JBMC		
DRAWN OOG	DATE 2-25-02	APPROVED FGW	DATE 2-25-02	DWG #	30-0922	REV	A	ECN

<b>NON-COMM ACTUATOR SPECIFICATIONS</b>		
Motor P/N	NCM02-05-005-4JBMC	
Device Type	Moving Magnet	
Stroke	0.15 in	3.8 mm
Radial Clearance	N/A in	N/A mm
Bearing Type	Jeweled Bushings	
Moving Mass	0.03 lbs	12 grams
Total Mass	0.11 lbs	49 grams
Resistance @ 20C	3.5 ohms	
Inductance @ 20C	0.25 mH	
Electrical Time Constant	0.07 msec	
Motor Constant	0.38 lbs/sqrt(watt)	1.69 N/sqrt(watt)
Force Constant	0.72 lbs/amp	3.2 N/amp
Back EMF	0.08 V/ips	3.2 V/m/sec
Force @ 100% Duty	0.5 lbs	2.2 N
Power @ 100% Duty	2 watts	
Current @ 100% Duty	0.7 amps	
Force @ 10% Duty	1.5 lbs	6.7 N
Power @ 10% Duty	16 watts	
Current @ 10% Duty	2.1 amps	