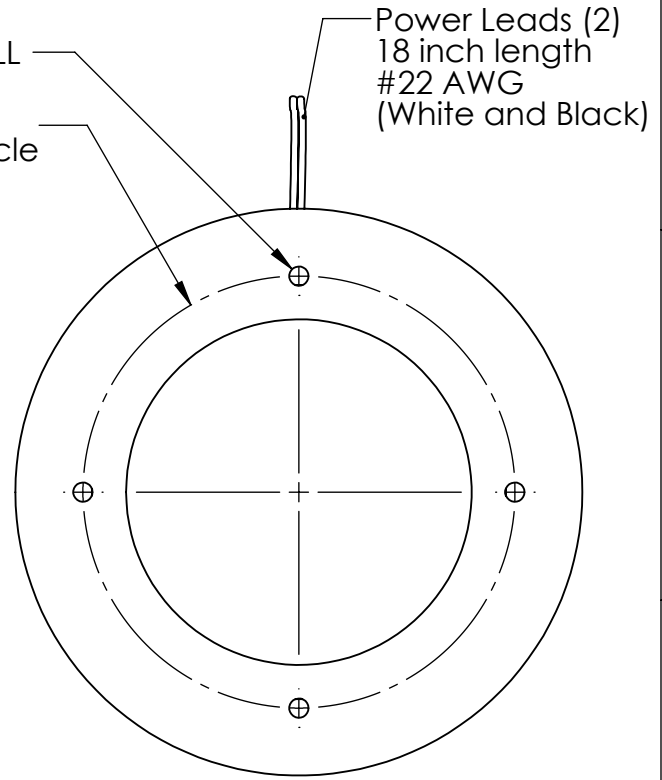
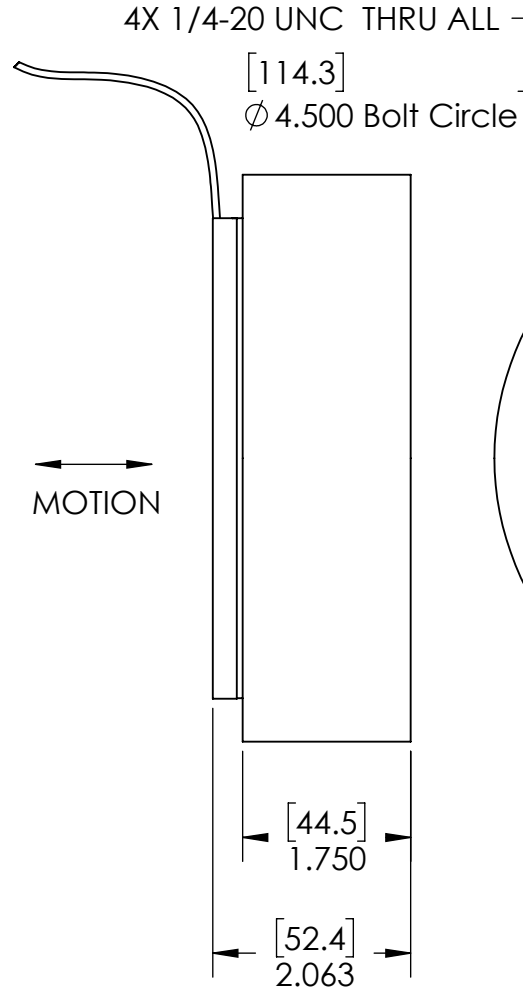
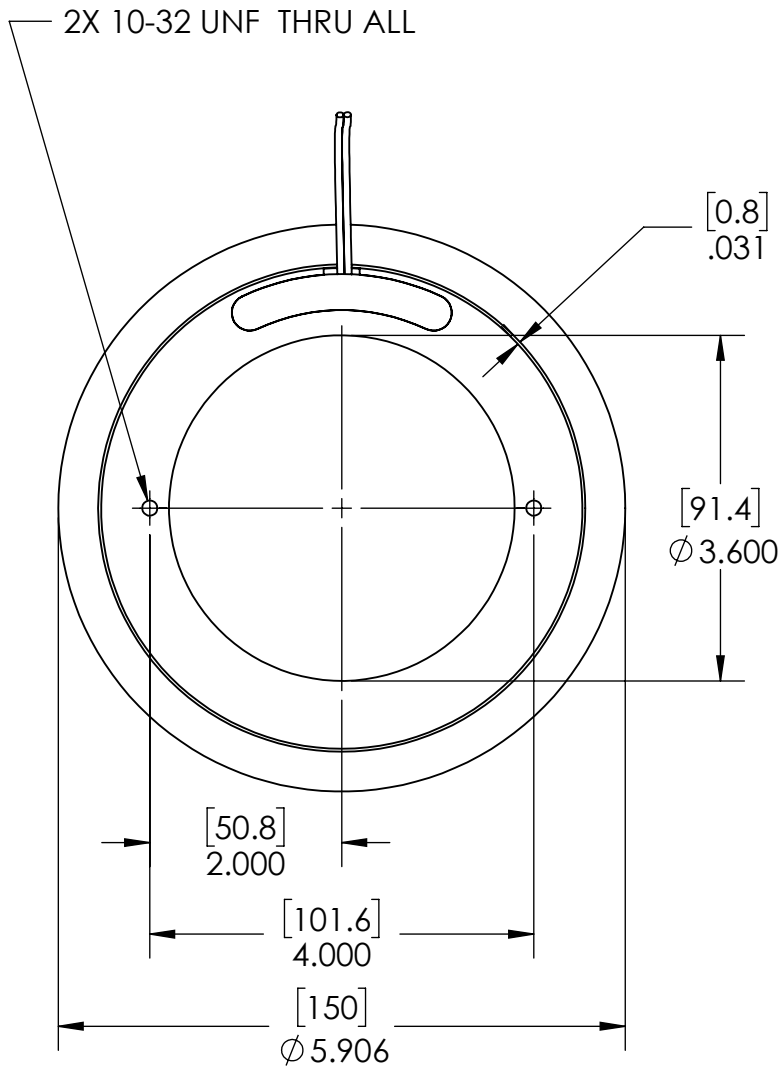
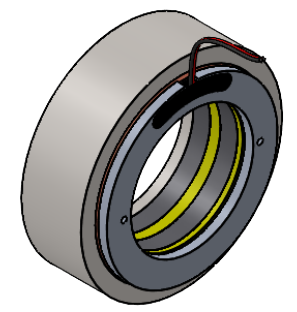


REVISION TABLE					
REV	ECN#	DESCRIPTION	REV BY	APPROVED	DATE
---	---	Original Drawing	JRM	MPW	11-1-22



When + is connected to White and - is connected to Black, the coil will move to the left (out of the magnet assembly).



These drawings and specifications are the property of H2W Technologies, Inc. They are issued in confidence and shall not be reproduced, copied, or used without written permission from H2W Technologies, Inc.

UNLESS SPECIFIED OTHERWISE:
 All dimensions are in inches
 Standard Tolerances are as follows
 .XXX ±.005 ANGLES ±.1°
 .XX ±.010 FILLETS .010
 .X ±.020 CORNERS .010
 Remove All Burrs and Sharp Edges

FOR REFERENCE ONLY

MATERIAL
 FINISH

TITLE
 Non Commutated DC Linear Actuator Model#
NCC01-58-300-2H

DWG # **30-1591**
 REV
 DATE **10-13-22** SHEET **1 of 2**

1

2

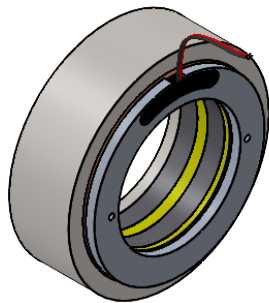
3

4

5

NON-COMM ACTUATOR SPECIFICATIONS

Motor P/N	NCC01-58-300-2H	
Device Type	Moving Coil	
Stroke	0.13 in	3.2 mm
Radial Clearance	0.030 in	0.8 mm
Bearing Type	None	
Moving Mass	0.6 lbs.	275 g
Total Mass	1.9 lbs	860 g
Resistance @ 20C	3.3 ohms \pm 0.5 ohms	
Inductance @ 20C	6.0 mH \pm 2.0 mH	
Electrical Time Constant	1.5 msec	
Motor Constant	2.9 lbs/sqrt(watt)	13.0 N/sqrt(watt)
Force Constant	5.3 lbs/amp	23.6 N/amp
Back EMF	0.6 V/ips	23.6 V/m/sec
Force @ 100% Duty	26 lbs	116 N
Power @ 100% Duty	80 watts	
Current @ 100% Duty	4.9 amps	
Force @ 10% Duty	78 lbs	348 N
Power @ 10% Duty	700 watts	
Current @ 10% Duty	14.7 amps	



The values in the table above are calculated and will be confirmed with testing once the actuator is built. This table does not convey any guarantee of the values above prior to any testing.

UNLESS SPECIFIED OTHERWISE:
All dimensions are in inches
Standard Tolerances are as follows
.XXX \pm .005 ANGLES \pm .1°
.XX \pm .010 FILLETS .010
.X \pm .020 CORNERS .010
Remove All Burrs and Sharp Edges

**FOR
REFERENCE
ONLY**

MATERIAL

FINISH

TITLE

Non Commutated DC Linear Actuator
Model# NCC01-58-300-2H

DWG # **30-1591**

REV -----

DATE 11-1-22 SHEET 2 of 2