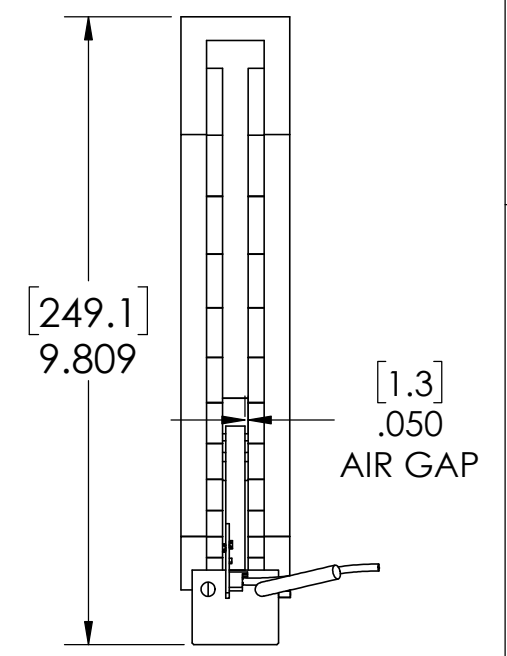
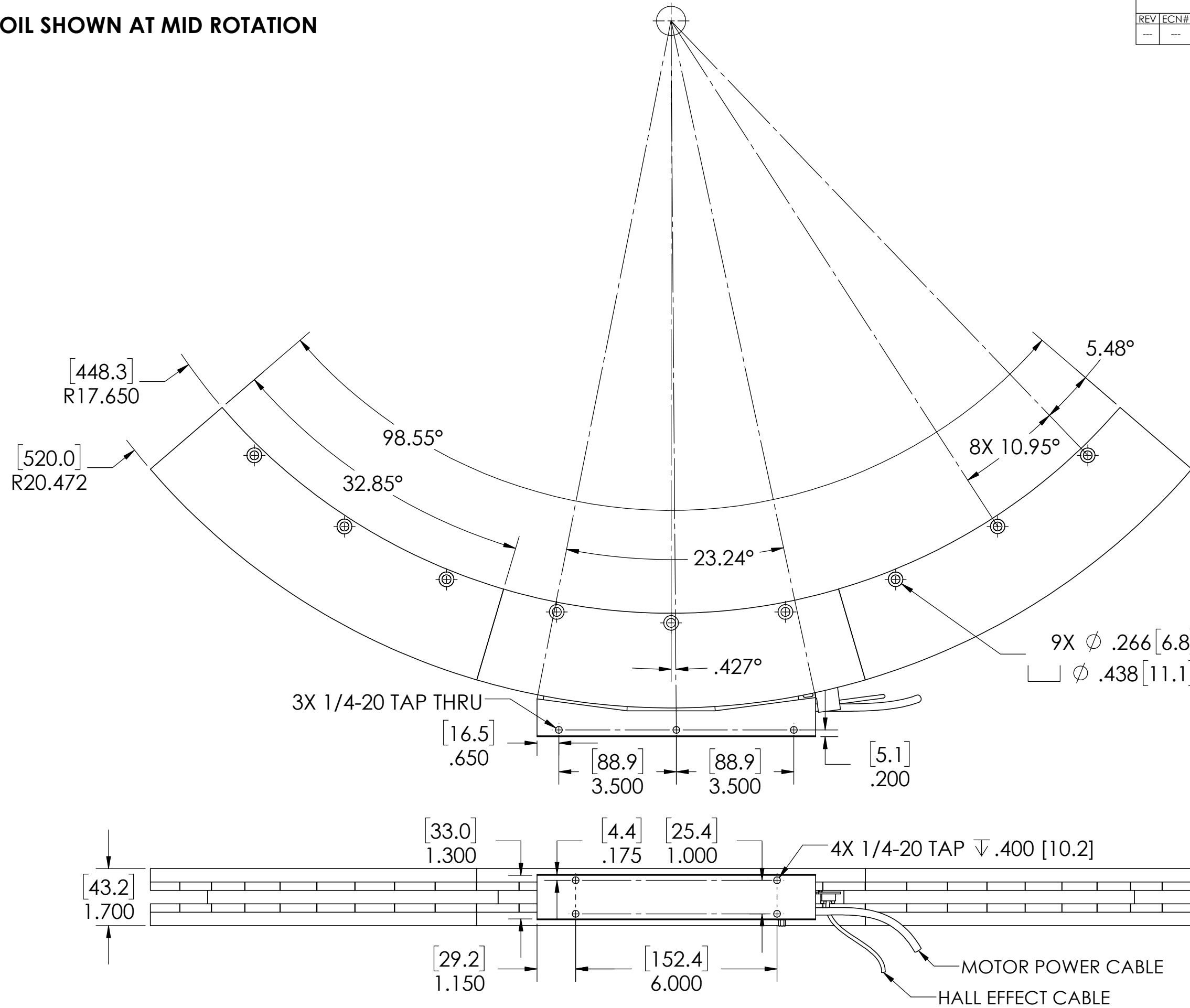


COIL SHOWN AT MID ROTATION

REVISION TABLE					
REV	ECN#	DESCRIPTION	REV BY	APPROVED	DATE
--	--	Original Drawing	OOG	MPW	8-1-16



Arc Segmented 3 Phase Brushless Rotary Motor

These drawings and specifications are the property of H2W Technologies, Inc. They are issued in confidence and shall not be reproduced, copied, or used without written permission from H2W Technologies, Inc.

UNLESS SPECIFIED OTHERWISE:
 All dimensions are in inches
 Standard Tolerances are as follows
 .XXX ±.005 ANGLES ±.1°
 .XX ±.010 FILLETS .010
 .X ±.020 CORNERS .010
 Remove All Burrs and Sharp Edges

FOR REFERENCE ONLY

MATERIAL
 FINISH

TITLE
 Brushless Rotary Motor Model #:
TWR-070-410-1150-3PH-C

DWG # **80-0317**
 REV
 DATE 8-1-16 SHEET 1 of 2

MOTOR POWER CABLE
 HALL EFFECT CABLE

1

2

3

4

5

A

A

Motor Specifications

Angular Displacement

70°

Continuous Torque

480 in-lbs [53 Nm]

Peak Torque

1440 in-lbs [159 Nm]

Continuous Current

4 amps

Peak Current

12 amps

B

B

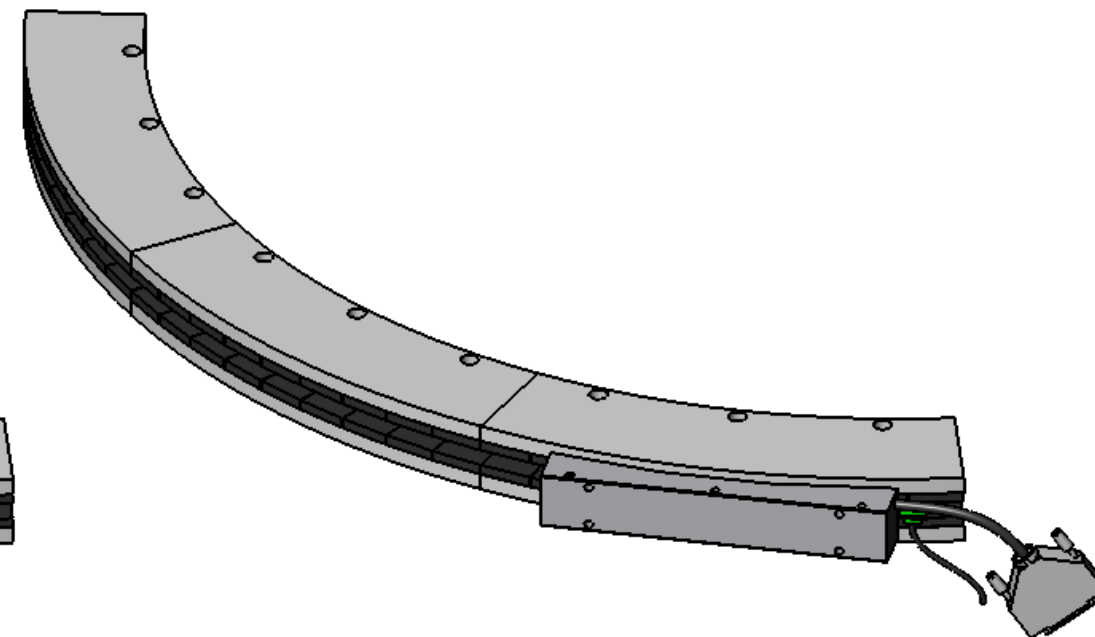
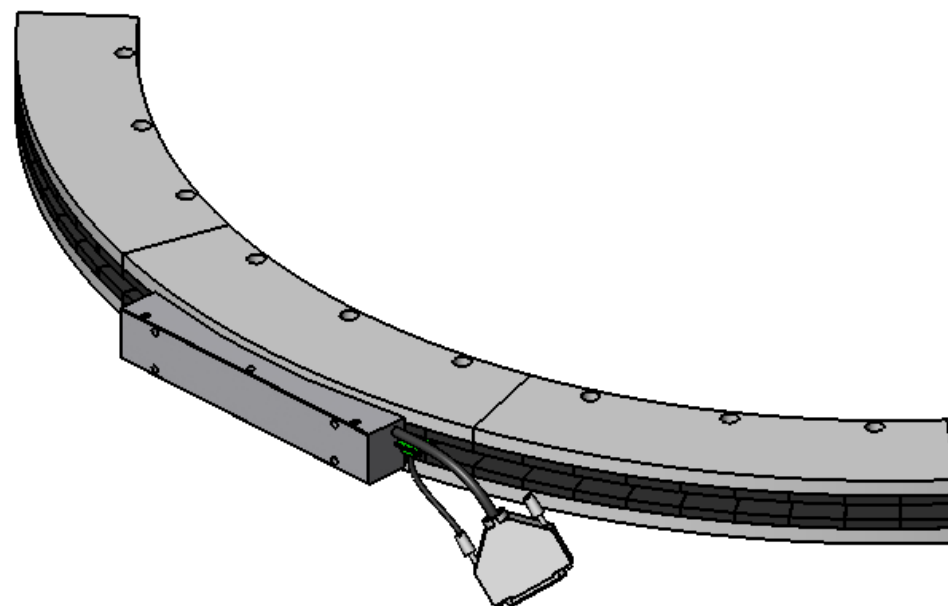
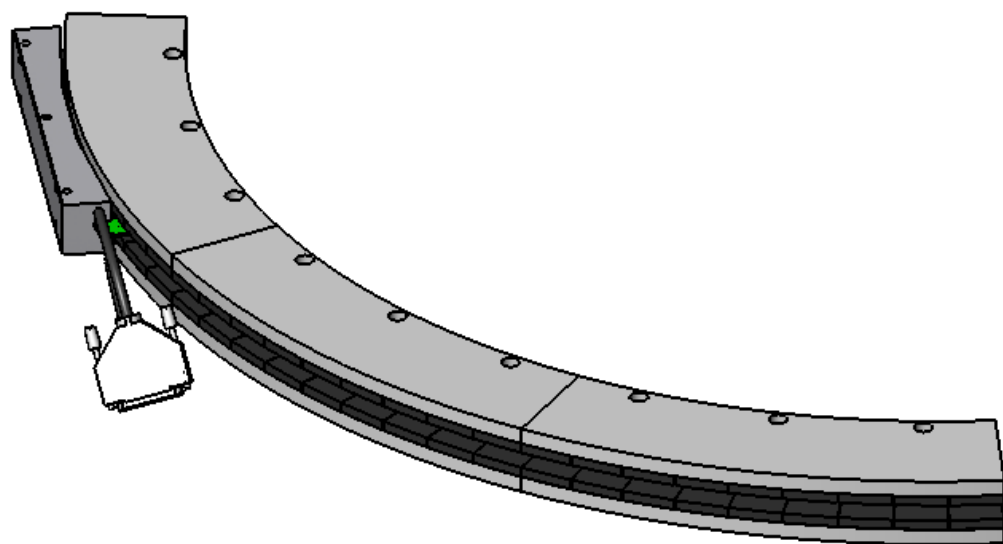
C

C

MOTOR DISPLAYED AT 0° (MIN) DISPLACEMENT

MOTOR DISPLAYED AT 35° (MID) DISPLACEMENT

MOTOR DISPLAYED AT 70° (MAX) DISPLACEMENT



D

D

These drawings and specifications are the property of H2W Technologies, Inc. They are issued in confidence and shall not be reproduced, copied, or used without written permission from H2W Technologies, Inc.

UNLESS SPECIFIED OTHERWISE:
All dimensions are in inches
Standard Tolerances are as follows
.XXX ±.005 ANGLES ±.1°
.XX ±.010 FILLETS .010
.X ±.020 CORNERS .010
Remove All Burrs and Sharp Edges

**FOR
REFERENCE
ONLY**

MATERIAL

FINISH

TITLE

Brushless Rotary Motor Model #:

TWR-070-410-1150-3PH-C

DWG #

80-0317

REV

DATE
8-1-16SHEET
2 of 2